

# Programmes After Market Services NHM-3 Series Transceivers

## General Information

Table of Contents

	<b>Page No</b>
<b>General Information.....</b>	<b>1</b>
Introduction .....	3
Using the Nokia 6250 phone in wet and damp conditions. ....	3
Product Selection .....	4
Handportables .....	4
Desktop Options .....	5
Transceiver Swap Modules .....	6
Car Kit (CARK111) .....	7
Product and Module List .....	8
Specifications .....	9
Technical Specifications .....	9
Durability: .....	9
General specification.....	9

List of Figures

	<b>Page No</b>
Fig 1 Handportables.....	4
Fig 2 Desktop Option.....	5
Fig 3 Car Kit (CARK111) .....	7

## Introduction

The Nokia 6250 is a durable quality phone

Its advance mechanical solutions make it dust and water resistant ; it can withstand temporary immersion in water without harmful effects.

It can take a considerable drop onto a hard surface. However even though the phone is designed to meet your tough demands, it is not meant to be thrown around on purpose. It is a high-tech piece of equipment and should be treated as such. Repeated dropping may, over time, deteriorate the performance of your phone.

The speaker, buzzer and microphone are sealed so as to be dust and water resistant. Therefore never use any sharp tools that can damage their seals.

### Using the Nokia 6250 phone in wet and damp conditions.

- Never try to use the phone under water.
- You can use the phone in the rain, but do not use it when e.g. swimming.
- If the phone, and especially the system connector, has been exposed to salt water, immediate washing in fresh water is recommended to avoid corrosion. The phone must be wiped dry carefully after it has been washed.
- Before opening the back cover, the phone must be wiped dry to avoid water entering the interior of your phone.
- The SIM card and battery are not water resistant.
- Always remember that the accessories do not meet the same durability or water resistance specifications as the phone itself.
- Never charge the phone when the bottom connector is wet or damp.
- Never use a damp phone with accessories that have an electrical functionality (e.g. Wall/Desk Stand, Advanced HF Car Kit etc.)

## Product Selection

### Handportables

The NHM-3 is a dual band handportable mobile telephone for the E-GSM 900 and GSM 1800 networks.

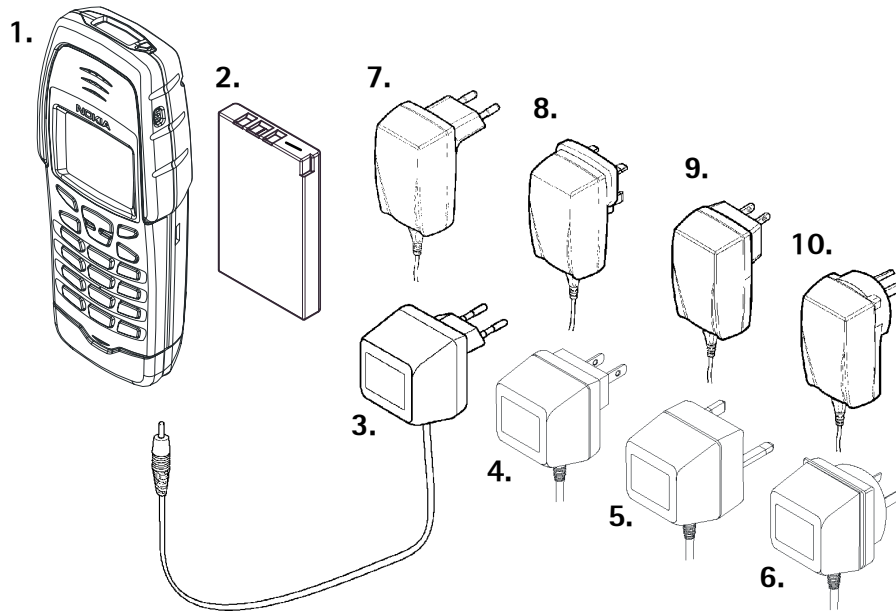


Figure 1: Handportables

Irem:	Name:	Type Code:	Material Code:
1.	Transceiver		
2.	Internal Battery (Li-ion 1200 mAh)	BLL-2	0670286
3.	AC Travel Charger (Euro plug) 207-253 Vac	ACP-7E	0675144
4.	AC Travel Charger (US plug) 108-132 Vac	ACP-7U	0675143
	AC Travel Charger (China plug) 198-242 Vac	ACP-7C	0675212
5.	AC Travel Charger (UK plug) 207-253 Vac	ACP-7X	0675145
6.	AC Travel Charger (Australia plug) 216-264 Vac	ACP-7A	0675148
7.	Performance Travel Charger (Euro plug) 90-264 Vac	ACP-8E	0675195
8.	Performance Travel Charger (UK plug) 90-264 Vac	ACP-8X	0675197
9.	Performance Travel Charger (US plug) 90-264 Vac	ACP-8U	0675196
	Performance Travel Charger (China plug) 90-264 Vac	ACP-8C	0675211
10.	Performance Travel Charger (Australia plug) 90-264 Vac	ACP-8A	0675214

## Desktop Options

The Desktop option allows the user to charge the phone from the mains.

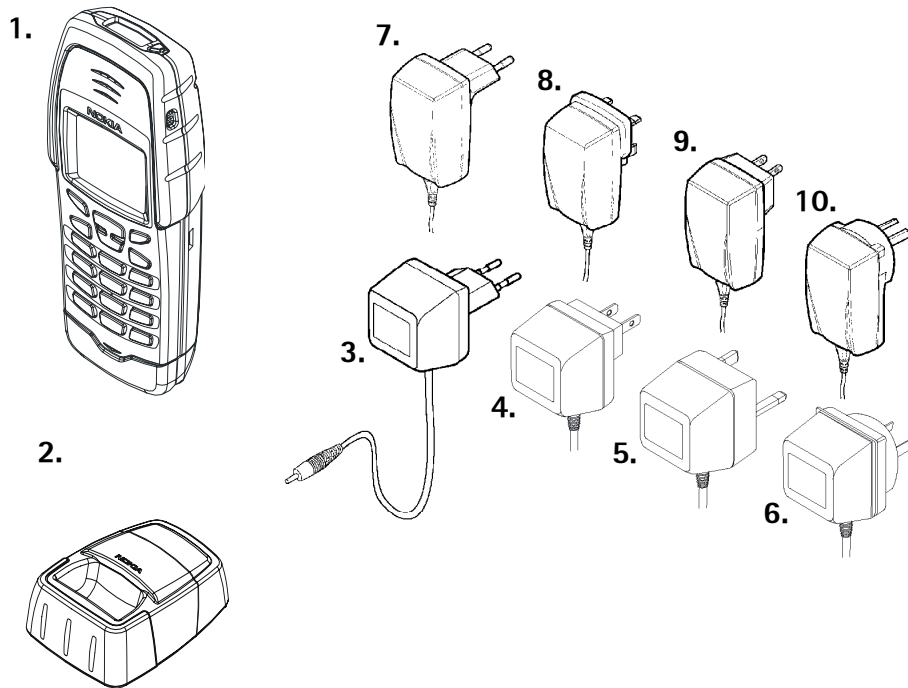


Figure 2: Desktop Option

Item:	Name:	Type Code:	Material Code:
1.	Transceiver		
2.	Wall/Desk Stand	DCV-6	0675230
3.	AC Travel Charger (Euro plug) 207-253 Vac	ACP-7E	0675144
4.	AC Travel Charger (US plug) 108-132 Vac	ACP-7U	0675143
	AC Travel Charger (China Plug) 198-242 Vac	ACP-7C	0675212
5.	AC Travel Charger (UK plug) 207-253 Vac	ACP-7X	0675145
6.	AC Travel Charger (Australia plug) 216-264 Vac	ACP-7A	0675148
7.	Performance Travel Charger (Euro plug) 90-264 Vac	ACP-8E	0675195
8.	Performance Travel Charger (UK plug) 90-264 Vac	ACP-8X	0675197
9.	Performance Travel Charger (US plug) 90-264 Vac	ACP-8U	0675196
	Performance Travel Charger (China plug) 90-264 Vac	ACP-8C	0675211
10.	Performance Travel Charger (Australia plug) 90-264 Vac	ACP-8A	0675214

## Transceiver Swap Modules

Europe/Africa Swap Packages	
Nokia NHM-3, DK-NO-ICEL	0070568
Nokia NHM-3, FI-SWE	0070569
Nokia NHM-3, GER	0070570
Nokia NHM-3, IT-CH	0070571
Nokia NHM-3, AU	0070594
Nokia NHM-3, FRA-Benelux-Safr-UK	0070572
Nokia NHM-3, POR-GRE	0070573
Nokia NHM-3, EST-LAT-LIT	0070574
Nokia NHM-3, RUS(CIS)	0070595
Nokia NHM-3, ISR	0070575
Nokia NHM-3, CRO-SLO-SER-CZE-SLK	0070576
Nokia NHM-3, LEB-EG-GULF	0070577
Nokia NHM-3, ROM-BUL	0070578
Nokia NHM-3, POL	0070596
Nokia NHM-3, HUN	0070597

**Car Kit (CARK111)**

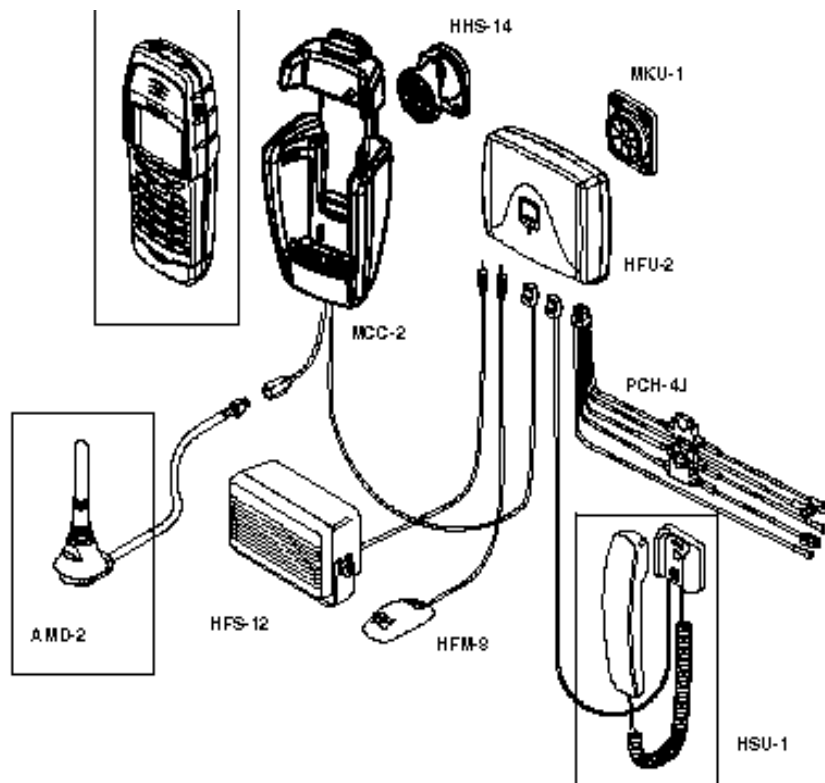


Figure 3: Car Kit (CARK111)

Item:	Name:	Type Code:	Material Code:
	<b>Advanced Car Kit (Sales Pack) Includes:</b>	<b>CARK111</b>	<b>0080332</b>
	Advanced Handsfree Unit	HFU-2	0694049
	Active Mobile Holder	MCC-2	0650029
	Power Cable	PCH-4J	0730055
	External Handsfree Speaker	HFS-12	0692008
	Handsfree Microphone	HFM-8	0690016
	Mounting Plate	MKU-1	0620036
	Swivel Mount	HHS-14	0620057
<b>OPTIONAL ACCESSORIES</b>			
	Antenna Set NMT/GSM 900/1800	AMD-2	0660163
	Handset	HSU-1	0670047

## Product and Module List

Unit/Type:	Product Code:
Transceiver NHM-3	
Standard Battery BLL-2 (Li-ion 1200 mAh)	0670286
Standard Battery BLL-2 (Li-ion 1200 mAh) (Special Type Label for China)	0670321
AC Travel Charger ACP-7E (EURO) 207-253 Vac	0675144
AC Travel Charger ACP-7U (US) 108-132 Vac	0675143
AC Travel Charger ACP-7C (China ) 198-242 Vac	0675212
AC Travel Charger ACP-7X (UK) 207-253 Vac	0675145
AC Travel Charger ACP-7A (AUS) 216-264 Vac	0675148
Performance Travel Charger ACP-8E (EURO) 90-264 Vac	0675195
Performance Travel Charger ACP-8X (UK) 90-264 Vac	0675197
Performance Travel Charger ACP-8U (US) 90-264 Vac	0675196
Performance Travel Charger ACP-8C (CHINA) 90-264 Vac	0675211
Performance Travel Charger ACP-8A (AUS) 90-264 Vac	0675214
Headset HDC-9P	0694063
Loopset LPS-1	0630146
Wall/Desk Stand DCV-6	0675230
Spare Battery Charger DDC-1	0675243
HF Microphone HFM-8	0690016
Cigarette Lighter Charger LCH-9	0675120
Mounting Plate MKU-1	0620036
Active Mobile Holder MCC-2	0650029
Power Cable PCH-4J	0730055



## Specifications

### General specification

Feature	Details
Operating Times	
Talk Time	3hrs 15 mins.- 5hrs 50 mins.
Standby Time	72hrs - 336hrs
Dimensions)LxWxD)	142x50-58(min-max)x23-27(min-max)
Weight with battery	174 g

### Technical Specifications

Parameter		Unit
Cellular System		E-GSM900 and GSM1800
RX frequency band	GSM900	925...960 MHz
	GSM1800	1805...1880 MHz
TX frequency band	GSM900	880...915 MHz
	GSM1800	1710...1785 MHz
Output power	GSM900	33 dBm peak
	GSM1800	30 dBm peak
Duplex spacing	GSM900	45 MHz
	GSM1800	95 MHz
Number of RF channels	GSM900	174
	GSM1800	374
Channel spacing	GSM900	200 kHz
	GSM1800	200 kHz
Number of power levels	GSM900	15
	GSM1800	16
Sensitivity, static channel	GSM900	min. - 102 dBm, S/N > 8 dB
	GSM1800	min. - 102 dBm, S/N > 8 dB
Frequency error, static channel	GSM900	+/- 0.1 ppm
	GSM1800	+/- 0.1 ppm
RMS phase error	GSM900	<5.0 °
	GSM1800	<5.0 °
Peak phase error	GSM900	<20 °
	GSM1800	<20 °

### Durability:

**Shock resistance** : A drop of 3 metres onto a hard surface.

**Water resistance** : Immersion of upto 1 minute in water upto 0.5 metre deep with a maximum temperature of 50 deg C.

**Dirt and Dust resistance:** No ingress (when used within the specification described above) also enduring heavy tilting and shaking.

This Page Intentionally Blank